

# M35-50

MAGNETIC DRIVE PUMPS



## Highlights

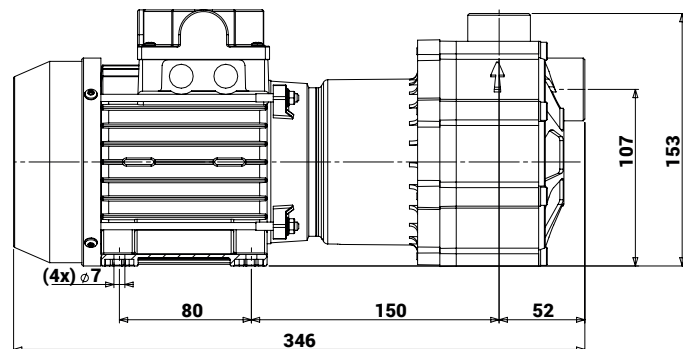
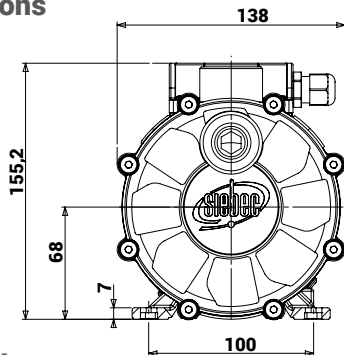
- Polypropylene construction : great resistance to acids and alkalines
- Closed centrifugal impeller with diffusor : great efficiency
- Magnetic drive : no mechanical seals, no risks of leaks
- Impeller shaft ceramic / ceramic or ceramic / graphite with ceramic / rulon stop : great resistance (no dry run)
- Self-priming : up to 2m vacuum
- Connection : grooved nozzles
- Option : union nut, flanges



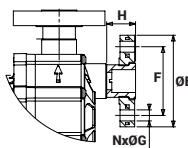
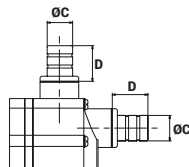
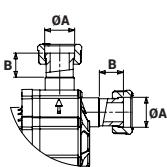
## Technical features

	M 35	M50
<b>Drive</b>	Magnetic	
<b>Shaft / Sleeve</b>	Ceramic / ceramic or graphite / ceramic	
<b>Electrical motor</b>	Intégré	
<b>Power supply - V</b>	230 1ph or 230 / 400 3ph	
<b>Frequency - Hz</b>	50 or 60	
<b>Rotation speed - rpm</b>	3 000	
<b>Motor power - kW</b>	0,18	
<b>Max output - m³/h</b>	3,5	5
<b>Max head - mWC</b>	10	10
<b>Max temperature - °C</b>	PP	80
	PVDF	110
<b>Density</b>	<1,4	<1,2
<b>Gaskets</b>	PP	EPDM - FPM - PTFE
	PVDF	FPM - PTFE

## Dimensions



## Connections



**1** Union nut

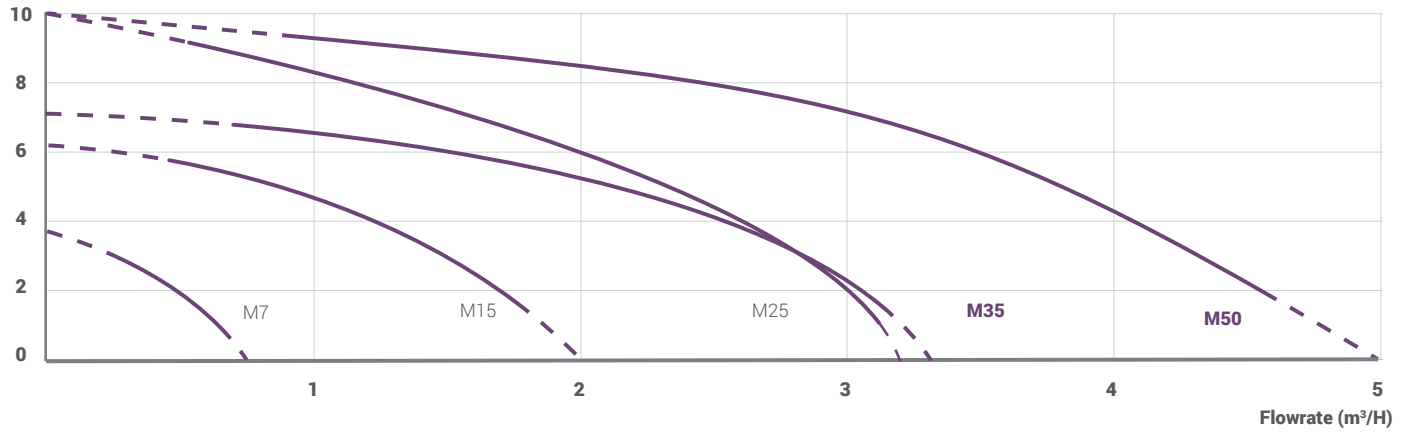
**2** Grooved nozzles

**3** Flanges

		Inlet	Outlet
<b>1</b>	ØA-B	M35 : 1"1/4 - DN20 - 31,5 M50 : 1"1/2 (DN25) - 31,5	M35 : 1"1/4 - DN20 - 31,5 M50 : 1"1/2 (DN25) - 31,5
<b>2</b>	ØC - D	M35 : Ø20 - 65 M50 : Ø25 - 55	M35 : Ø20 - 65 M50 : Ø25 - 55
<b>3</b>	ØE - ØF - NxØG - H	M35 : Ø100 - Ø75 - 4X Ø12 - 31,5 M50 : Ø115 - Ø85 - 4X Ø14 - 31,5	M35 : Ø100 - Ø75 - 4X Ø12 - 31,5 M50 : Ø115 - Ø85 - 4X Ø14 - 31,5

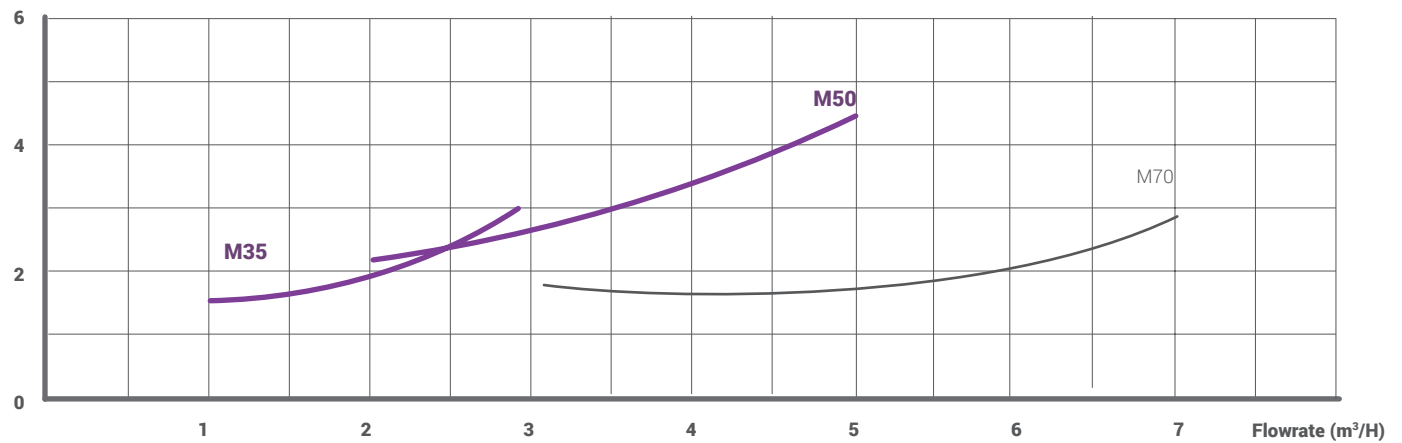
## Flowrate charts

TOTAL HEAD (mWC)



## NPSH charts

NPSH (mWC)



## Efficiency charts

Efficiency (%)

